



ACE24C16AA

Two-wire Serial EEPROM

Description

The ACE24C16AA provides 6384 bits of serial electrically erasable and programmable read- only memory (EEPROM), organized as 2048 words of 8 bits each.

The device is optimized for use in many industrial and commercial applications where low-power and low-voltage operation are essential.

Features

- Compatible with all I²C bidirectional data transfer protocol
- Memory array:
16K bits (2048 X 8) of EEPROM
Page size: 16 bytes
- Single supply voltage and high speed:1 MHz
- Random and sequential Read modes
- Write:
Byte Write within 3ms
Page Write within 3ms
Partial Page Writes Allowed
- Write Protect Pin for Hardware Data Protection
- Schmitt Trigger, Filtered Inputs for Noise Suppression
- High-reliability
Endurance: 1 Million Write Cycles
Data Retention: 100 Years
- Enhanced ESD/Latch-up protection
HBM 8000V

Absolute Maximum Ratings

DC Supply Voltage		-0.3V to 6.5V
Input / Output Voltage		GND-0.3V to V _{CC} +0.3V
Operating Temperature	ACE24C16AA	-40°C to 85°C
	ACE24C16AAT0	-40°C to 105°C
	ACE24C16AAT1	-40°C to 125°C
Storage Temperature		-65°C to 150°C
Electrostatic pulse (Human Body model)		8000V

Notice: Stresses above those listed under "Absolute Maximum Ratings" may cause permanent damage to this device. These are stress ratings only. Functional operation of this device at these or any other conditions above those indicated in the operational sections of this specification is not implied or intended. Exposure to the absolute maximum rating conditions for extended periods may affect device reliability.

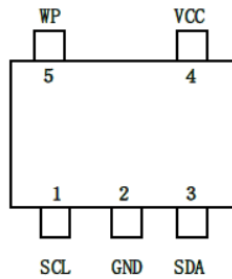


ACE24C16AA

Two-wire Serial EEPROM

Packaging Type

SOT-23-5/TSOT-23-5

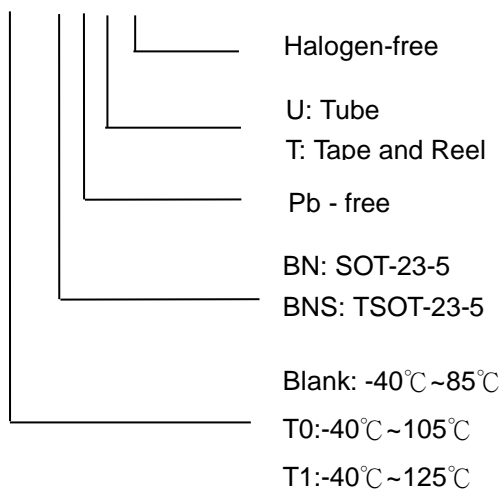


Pin Configurations

Pin Name	Type	Functions
SDA	I/O	Serial Data
SCL	I	Serial Clock Input
WP	I	Write Protect
GND	P	Ground
V _{CC}	P	Power Supply

Ordering information

ACE24C16AA XX XX+ X H

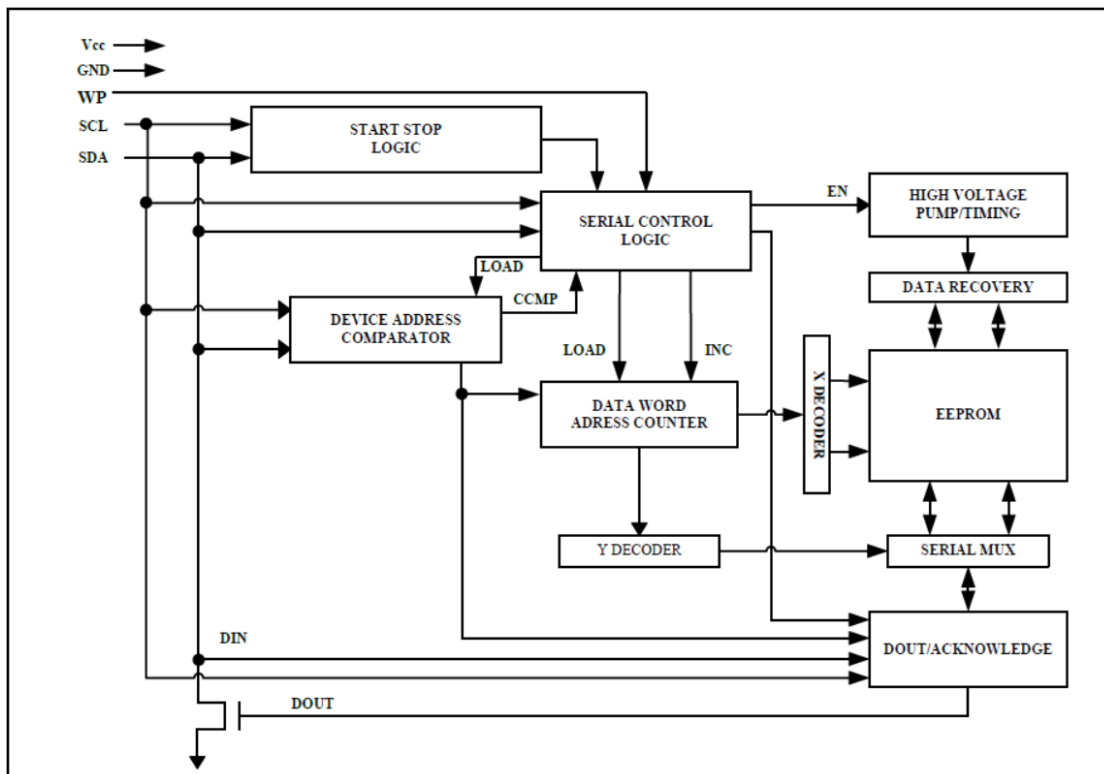




ACE24C16AA

Two-wire Serial EEPROM

Block Diagram



Pin Descriptions

Serial Data (SDA):

The SDA pin is bi-directional for serial data transfer. This pin is open-drain driven and may be wire-ORed with any number of other open-drain or open-collector devices.

Serial Clock (SCL):

The SCL input is used to positive edge clock data into each EEPROM device and negative edge clock data out of each device.

Write Protect (WP):

The ACE24C16AA has a Write Protect pin that provides hardware data protection.

The Write Protect pin allows normal read/write operations when connected to ground (GND). When the Write Protection pin is connected to Vcc, the write protection feature is enabled and operates as shown in the following Table 1.

Table 1. Write Protect

WP Pin Status	ACE24C16AA
At V _{CC}	Full Array
At GND	Normal Read / Write Operations



ACE24C16AA

Two-wire Serial EEPROM

Functional Description

Memory Organization

ACE24C16AA, 16K SERIAL EEPROM: Internally organized with 128 pages of 16 bytes each, the 16K requires an 11-bit data word address for random word addressing.

Device Operation

Clock and Data Transitions:

The SDA pin is normally pulled high with an external device. Data on the SDA pin may change only during SCL low time periods (see Figure 1). Data changes during SCL high periods will indicate a start or stop condition as defined below.

Start Condition:

A high-to-low transition of SDA with SCL high is a start condition which must precede any other command (see Figure 2).

Stop Condition:

A low-to-high transition of SDA with SCL high is a stop condition. After a read sequence, the stop command will place the EEPROM in a standby power mode (see Figure 2).

Acknowledge:

All addresses and data words are serially transmitted to and from the EEPROM in 8-bit words. The EEPROM sends a "0" to acknowledge that it has received each word. This happens during the ninth clock cycle.

Standby Mode:

The ACE24C16AA features a low-power standby mode which is enabled: (a) upon power-up and (b) after the receipt of the STOP bit and the completion of any internal operations.

Memory Reset:

After an interruption in protocol, power loss or system reset, any two-wire part can be reset by following these steps:

1. Clock up to 9 cycles.
2. Look for SDA high in each cycle while SCL is high and then.
3. Create a start condition.

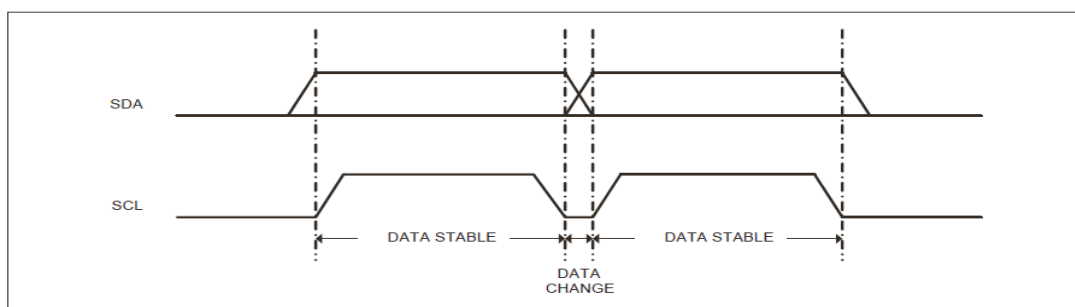


Figure 1: Data Validity



ACE24C16AA

Two-wire Serial EEPROM

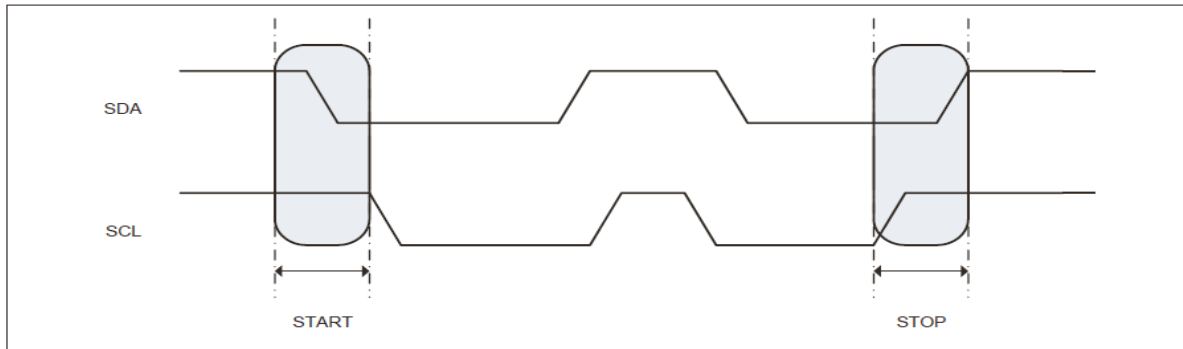


Figure 2: Start and Stop Definition

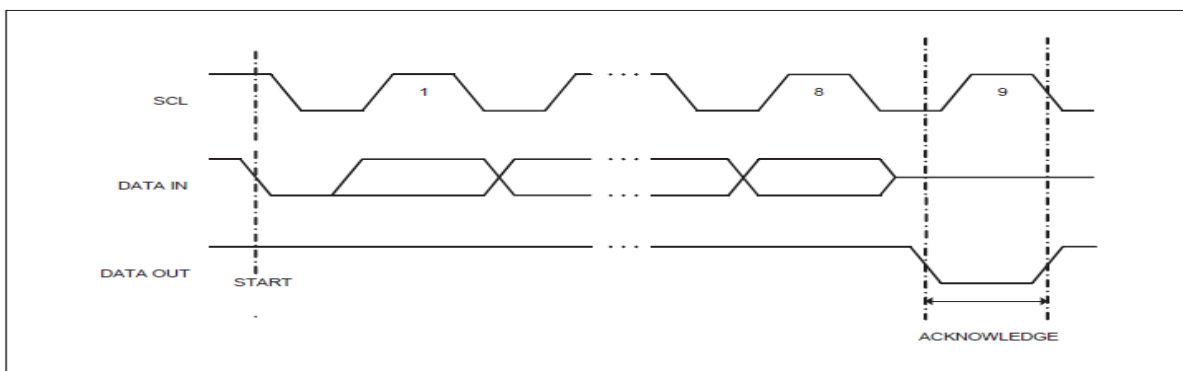


Figure 3: Output Acknowledge

Device Addressing

The 16K EEPROM devices all require an 8-bit device address word following a start condition to enable the chip for a read or write operation (see Figure 4)

The device address word consists of a mandatory "1", "0" sequence for the first four most significant bits as shown. This is common to all the Serial EEPROM devices.

The next 3 bits are fixed to zero for the 2K EEPROM.

The 16K does not use any device address bits but instead the 3 bits are used for memory page addressing. These page addressing bits on the 4K, 8K and 16K devices should be considered the most significant bits of the data word address which follows.

The eighth bit of the device address is the read/write operation select bit. A read operation is initiated if this bit is high and a write operation is initiated if this bit is low.

Upon a compare of the device address, the EEPROM will output a "0". If a compare is not made, the chip will return to a standby state.

16K	1	0	1	0	B10	B9	B8	R/W
-----	---	---	---	---	-----	----	----	-----

Figure 4: Device Address



ACE24C16AA

Two-wire Serial EEPROM

Write Operations

Byte Write:

A write operation requires an 8-bit data word address following the device address word and acknowledgment. Upon receipt of this address, the EEPROM will again respond with a "0" and then clock in the first 8-bit data word. Following receipt of the 8-bit data word, the EEPROM will output a "0" and the addressing device, such as a microcontroller, must terminate the write sequence with a stop condition. At this time the EEPROM enters an internally timed write cycle, t_{WR} to the nonvolatile memory. All inputs are disabled during this write cycle and the EEPROM will not respond until the write is complete (see Figure 5).

Page Write:

A page write is initiated the same as a byte write, but the microcontroller does not send a stop condition after the first data word is clocked in. Instead, after the EEPROM acknowledges receipt of the first data word, the microcontroller can transmit up to fifteen more data words. The EEPROM will respond with a "0" after each data word received. The microcontroller must terminate the page write sequence with a stop condition (see Figure 6).

The data word address lower four bits are internally incremented following the receipt of each data word. The higher data word address bits are not incremented, retaining the memory page row location. When the word address, internally generated, reaches the page boundary, the following byte is placed at the beginning of the same page. If more than sixteen data words are transmitted to the EEPROM, the data word address will "roll over" and previous data will be overwritten.

Acknowledge Polling:

Once the internally timed write cycle has started and the EEPROM inputs are disabled, acknowledge polling can be initiated. This involves sending a start condition followed by the device address word. The read/write bit is representative of the operation desired. Only if the internal write cycle has completed will the EEPROM respond with a "0", allowing the read or write sequence to continue.

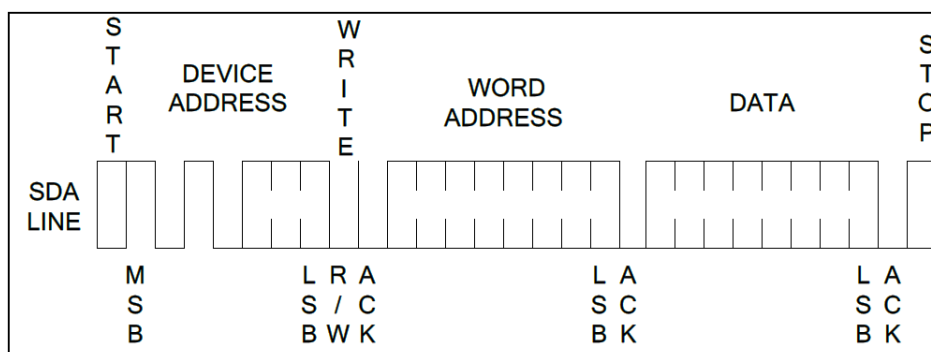


Figure 5: Byte write



ACE24C16AA

Two-wire Serial EEPROM

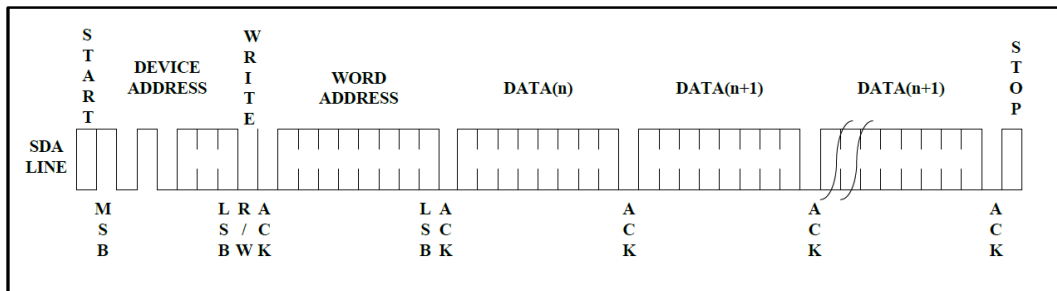


Figure 6: Page write

Read Operations

Read operations are initiated the same way as write operations with the exception that the read/write select bit in the device address word is set to "1". There are three read operations: current address read, random address read and sequential read.

Current Address Read:

The internal data word address counter maintains the last address accessed during the last read or write operation, incremented by one. This address stays valid between operations as long as the chip power is maintained. The address "roll over" during read is from the last byte of the last memory page to the first byte of the first page. The address "roll over" during write is from the last byte of the current page to the first byte of the same page. Once the device address with the read/write select bit set to "1" is clocked in and acknowledged by the EEPROM, the current address data word is serially clocked out. The microcontroller does not respond with an input "0" but does generate a following stop condition (see Figure 7).

Random Read:

A random read requires a "dummy" byte write sequence to load in the data word address. Once the device address word and data word address are clocked in and acknowledged by the EEPROM, the microcontroller must generate another start condition. The microcontroller now initiates a current address read by sending a device address with the read/write select bit high. The EEPROM acknowledges the device address and serially clocks out the data word. The microcontroller does not respond with a "0" but does generate a following stop condition (see Figure 8)

Sequential Read:

Sequential reads are initiated by either a current address read or a random address read. After the microcontroller receives a data word, it responds with an acknowledge. As long as the EEPROM receives an acknowledge, it will continue to increment the data word address and serially clock out sequential data words. When the memory address limit is reached, the data word address will "roll over" and the sequential read will continue. The sequential read operation is terminated when the microcontroller does not respond with a "0" but does generate a following stop condition (see Figure9).



ACE24C16AA

Two-wire Serial EEPROM

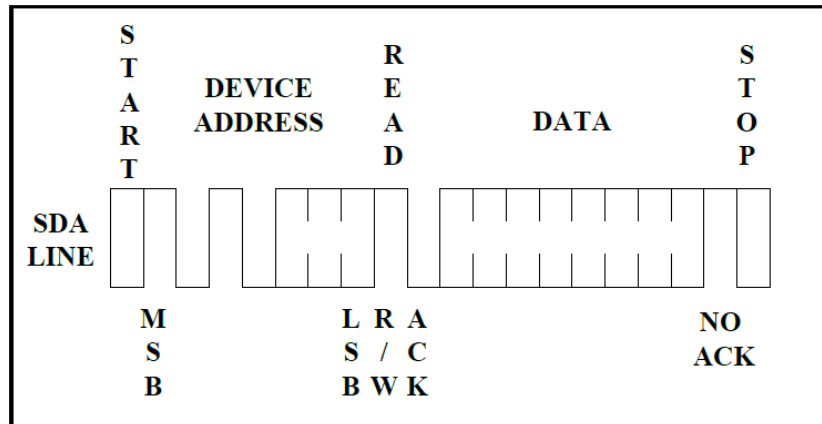


Figure 7: Current Address Read

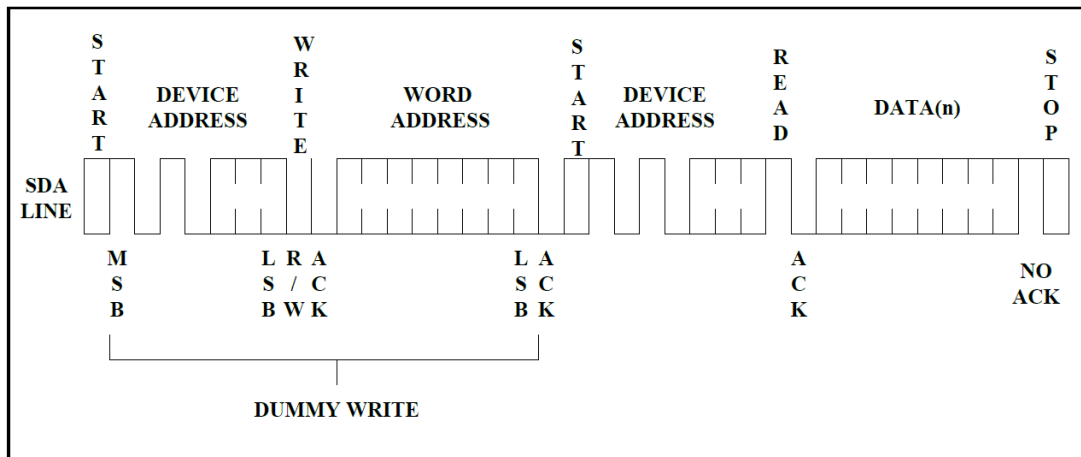


Figure 8: Random Read

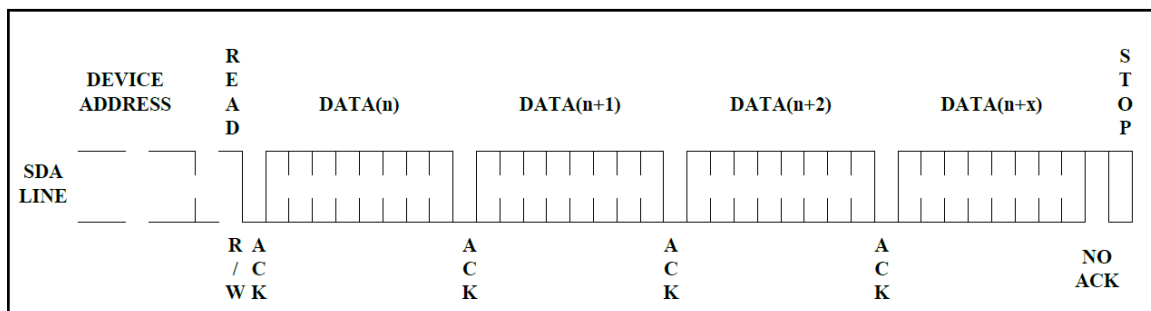


Figure 9: Sequential Read



ACE24C16AA

Two-wire Serial EEPROM

Pin Capacitance

Applicable over recommended operating range from: $T_A = 25^\circ\text{C}$, $f = 1.0\text{ MHz}$, $V_{CC} = 2.5\text{V}$.

Symbol	Test Condition	Max	Units	Conditions
$C_{I/O}$	Input / Output Capacitance (SDA)	8	pF	$V_{I/O} = 0\text{V}$
C_{IN}	Input Capacitance (A_0, A_1, A_2, SCL)	6	pF	$V_{IN} = 0\text{V}$

DC Characteristics

Applicable over recommended operating range from: (unless otherwise noted).

ACE24C16AA	$T_A = -40^\circ\text{C}$ to 85°C	$V_{CC} = 1.7\text{V}$ to 5.5V @ 400kHz
ACE24C16AAT0	$T_A = -40^\circ\text{C}$ to 105°C	
ACE24C16AAT1	$T_A = -40^\circ\text{C}$ to 125°C	$C_L = 100\text{pF}$

Symbol	Parameter	Test Condition	Min	Typ	Max	Units
V_{CC1}	Supply Voltage		1.7		5.5	V
V_{CC2}			2.5		5.5	
I_{CC1}	Supply Current $V_{CC}=5.0\text{V}$	Read at 400kHz		0.14	0.3	mA
I_{CC2}	Supply Current $V_{CC}=5.0\text{V}$	Write at 400 kHz		0.28	0.5	mA
I_{SB1}	Standby Current $V_{CC}=5.0\text{V}$	$V_{IN} = V_{CC}$ or V_{SS}		0.03	0.5	μA
I_{LI}	Input Leakage Current	$V_{IN} = V_{CC}$ or V_{SS}		0.10	1.0	μA
I_{LO}	Output Leakage Current	$V_{OUT} = V_{CC}$ or V_{SS}		0.05	1.0	μA
V_{IL1}	Input Low Level	$V_{CC}=1.7\text{V}$ to 5.5V	-0.3		$V_{CC} \cdot 0.3$	V
V_{IH1}	Input High Level	$V_{CC}=1.7\text{V}$ to 5.5V	$V_{CC} \cdot 0.7$		$V_{CC} + 0.3$	V
V_{OL1}	Output Low Level $V_{CC}=1.7\text{V}$	$I_{OL} = 0.15\text{mA}$			0.2	V
V_{OL2}	Output Low Level $V_{CC}=5.0\text{V}$	$I_{OL} = 3.0\text{mA}$			0.4	V



ACE24C16AA

Two-wire Serial EEPROM

AC Characteristics

Applicable over recommended operating range from (unless otherwise noted)

ACE24C16AA	$T_A = -40^{\circ}\text{C}$ to 85°C	$V_{CC} = 1.7\text{V}$ to 5.5V @ 400kHz $V_{CC} = 2.5$ to 5.5V @ 1MHz $C_L = 100\text{pF}$
ACE24C16AAT0	$T_A = -40^{\circ}\text{C}$ to 105°C	
ACE24C16AAT1	$T_A = -40^{\circ}\text{C}$ to 125°C	

Symbol	Parameter	$1.7\text{V} \leq V_{CC} < 2.5\text{V}$			$2.5\text{V} \leq V_{CC} \leq 5.5\text{V}$			Units
		Min	Typ	Max	Min	Typ	Max	
f_{SCL}	Clock Frequency, SCL			400			1000	kHz
T_{LOW}	Clock Pulse Width Low	1.3			0.5			μs
T_{HIGH}	Clock Pulse Width High	0.6			0.26			μs
T_{I}	Noise Suppression Time			50			50	μs
T_{AA}	Clock Low to Data Out Valid			0.9			0.45	μs
T_{BUF}	Time the bus must be free before a new transmission can Start	1.3			0.5			s
$T_{\text{HD.STA}}$	Start Hold Time	0.6			0.25			s
$T_{\text{SU.STA}}$	Start Setup Time	0.6			0.25			s
$T_{\text{HD.DAT}}$	Data In Hold Time	0			0			s
$T_{\text{SU.DAT}}$	Data In Setup Time	100			100			ns
T_{R}	Inputs Rise Time (1)			0.3			0.12	μs
T_{F}	Inputs Fall Time (1)			0.3			0.12	μs
$T_{\text{SU.STO}}$	Stop Setup Time	0.6			0.25			s
T_{DH}	Data Out Hold Time	50			50			ns
T_{WR}	Write Cycle Time		1.9	3		1.9	3	ms
Endurance	5.0V, 25°C , Page Mode(1)	4M			4M			Write Cycles

Notes:

- This parameter is characterized and is not 100% tested.
- AC measurement conditions: R_L (connects to V_{CC}): 1.3 k
Input pulse voltages: 0.3 VCC to 0.7 VCC
Input rise and fall time: 50 ns
Input and output timing reference voltages: 0.5 VCC
The value of R_L should be concerned according to the actual loading on the user's system.



ACE24C16AA

Two-wire Serial EEPROM

Bus Timing

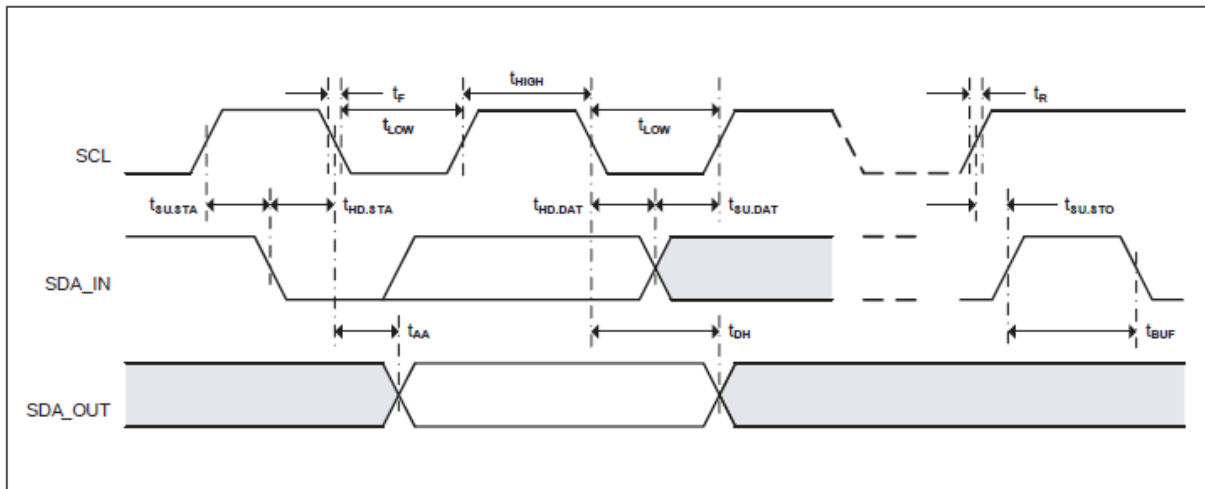


Figure 10 · SCL: Serial Clock, SDA: Serial Data I/O

Write Cycle Timing

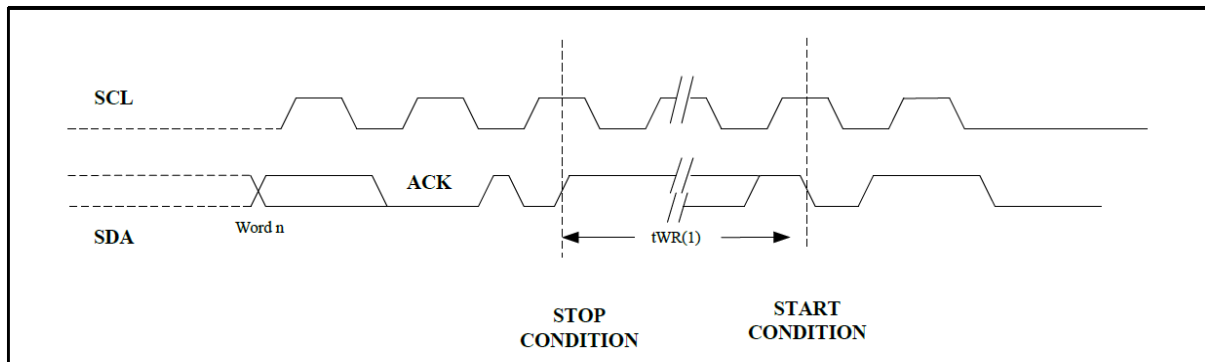


Figure 11 · SCL: Serial Clock, SDA: Serial Data I/O

Note: The write cycle time t_{WR} is the time from a valid stop condition of a write sequence to the end of the internal clear/write cycle.

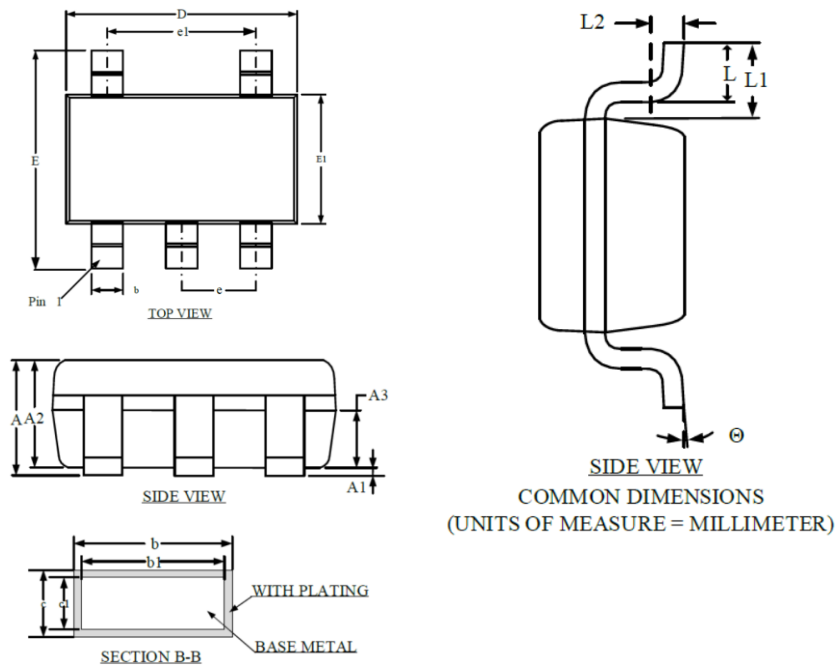


ACE24C16AA

Two-wire Serial EEPROM

Packaging information

SOT-23-5



Symbol	MIN	NOM	MAX
A			1.35
A1	0.04		0.15
A2	1.00	1.10	1.20
A3	0.55	0.65	0.75
b	0.38		0.48
b1	0.37	0.40	0.43
c	0.11		0.21
c1	0.10	0.13	0.16
D	2.72	2.92	3.12
E	2.60	2.80	3.00
E1	1.40	1.60	1.80
e	0.95BSC		
e1	1.90BSC		
L	0.30		0.60
L1	0.575REF		
L2	0.258BSC		
Θ	0°		8°

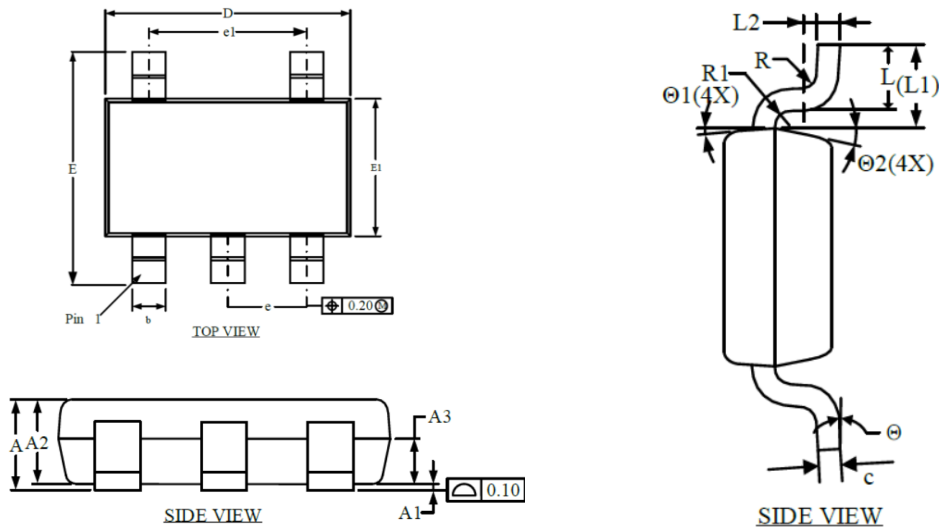


ACE24C16AA

Two-wire Serial EEPROM

Packaging information

TSOT-23-5



COMMON DIMENSIONS
(UNITS OF MEASURE = MILLIMETER)

Symbol	MIN	NOM	MAX
A			0.90
A1	0.00		0.10
A2	0.65	0.75	0.85
A3	0.35	0.40	0.45
b	0.30	0.44	0.50
c	0.14		0.20
D	2.85	2.95	3.05
E	2.65	2.80	2.95
E1	1.60	1.65	1.70
e	0.90	0.95	1.00
e1	1.80	1.90	2.00
L	0.30	0.45	0.60
L1	0.575REF		
L2	0.258BSC		
R			0.25
R1			0.25
θ	0°		8°
$\theta 1$	3°	5°	7°
$\theta 2$	10°	12°	14°



ACE24C16AA

Two-wire Serial EEPROM

Notes

ACE does not assume any responsibility for use as critical components in life support devices or systems without the express written approval of the president and general counsel of ACE Technology Co., LTD. As used herein:

1. Life support devices or systems are devices or systems which, (a) are intended for surgical implant into the body, or (b) support or sustain life, and whose failure to perform when properly used in accordance with instructions for use provided in the labeling, can be reasonably expected to result in a significant injury to the user.
2. A critical component is any component of a life support device or system whose failure to perform can be reasonably expected to cause the failure of the life support device or system, or to affect its safety or effectiveness.

ACE Technology Co., LTD.
<http://www.ace-ele.com/>