



ACE575D

36V Low Current Consumption 250mA CMOS Voltage Regulator

Description

The ACE575D series are a group of positive voltage regulators manufactured by CMOS technologies with low power consumption and low dropout voltage, which provide large output currents even when the difference of the input-output voltage is small. The ACE575D series can deliver 250mA output current and allow an input voltage as high as 36V. The series are very suitable for the battery-powered equipments, such as RF applications and other systems requiring a quiet voltage source.

Features

- Low Quiescent Current: 2 μ A
- Operating Voltage Range: 2.5V~36V
- Output Current: 250mA
- Low Dropout Voltage : 400mV@100mA($V_{OUT}=3.3V$)
- Output Voltage: 2.1~ 12V
- High Accuracy: $\pm 2\%/\pm 1\%$ (Typ.)
- High Power Supply Rejection Ratio: 70dB@1kHz
- Low Output Noise:
- $27 \times V_{OUT} \mu V_{RMS}$ (10Hz~100kHz)
- Excellent Line and Load Transient Response
- Built-in Current Limiter, Short-Circuit Protection
- Over-Temperature Protection
- Stable with Ceramic or Tantalum Capacitor

Application

- Cordless Phones
- Radio control systems
- Laptop, Palmtops and PDAs
- Single-lens reflex DSC
- PC peripherals with memory
- Wireless Communication Equipments
- Portable Audio Video Equipments
- Car Navigation Systems
- LAN Cards
- Ultra Low Power Microcontrolle



ACE575D

36V Low Current Consumption 250mA CMOS Voltage Regulator

Absolute Maximum Ratings ⁽¹⁾ (Unless otherwise specified, T_A=25°C)

Parameter		Symbol	Ratings	Units
Input Voltage ⁽²⁾		V _{IN}	-0.3~40	V
Output Voltage ⁽²⁾		V _{OUT}	-0.3~13	V
Power Dissipation	SOT-23-3	P _D	0.4	W
	SOT-23-5		0.4	W
	SOT-89-3		0.6	W
	TO-92		0.6	W
Operating Junction Temperature Range ⁽³⁾		T _j	150	°C
Storage Temperature		T _{stg}	-65~150	°C
Lead Temperature(Soldering, 10 sec)		T _{solder}	260	°C

1. Stresses beyond those listed under absolute maximum ratings may cause permanent damage to the device. These are stress ratings only, and functional operation of the device at these or any other conditions beyond those indicated under recommended operating conditions is not implied. Exposure to absolute-maximum-rated conditions for extended periods may affect device reliability.
2. All voltages are with respect to network ground terminal.
3. This IC includes over temperature protection that is intended to protect the device during momentary overload. Junction temperature will exceed 125°C when over temperature protection is active. Continuous operation above the specified maximum operating junction temperature may impair device reliability.

Recommended Work Conditions

Parameter	MIN.	MAX.	Units
Supply voltage at V _{IN}	2.5	36	V
Operating junction temperature range, T _j	-40	125	°C
Operating free air temperature range, T _A	-40	85	°C

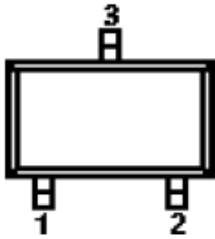


ACE575D

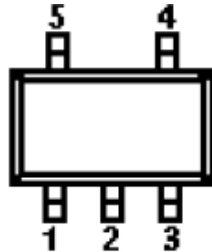
36V Low Current Consumption 250mA CMOS Voltage Regulator

Packaging Type

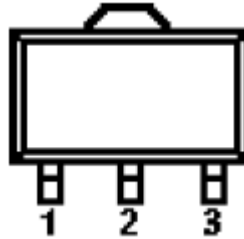
SOT-23-3



SOT-23-5



SOT-89-3



TO-92

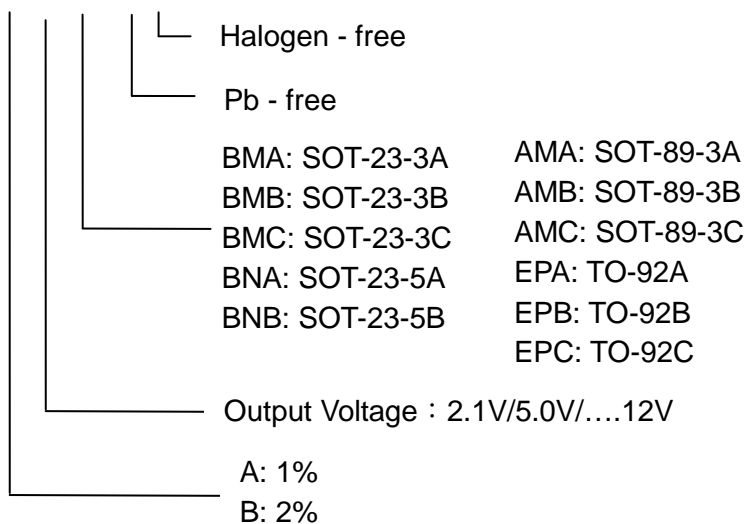


Pin Configuration

SOT-23-3			SOT-23-5		SOT-89-3			TO-92			Pin Name	Function
A	B	C	A	B	A	B	C	A	B	C		
1	3	3	2	1	1	2	2	1	2	2	V_{SS}	Ground
2	2	1	5	3	3	1	3	3	3	1	V_{OUT}	Output
3	1	2	1	2	2	3	1	2	1	3	V_{IN}	Power input
			3/4	4/5							NC	No Connection

Ordering information

ACE575DX XX XX + H

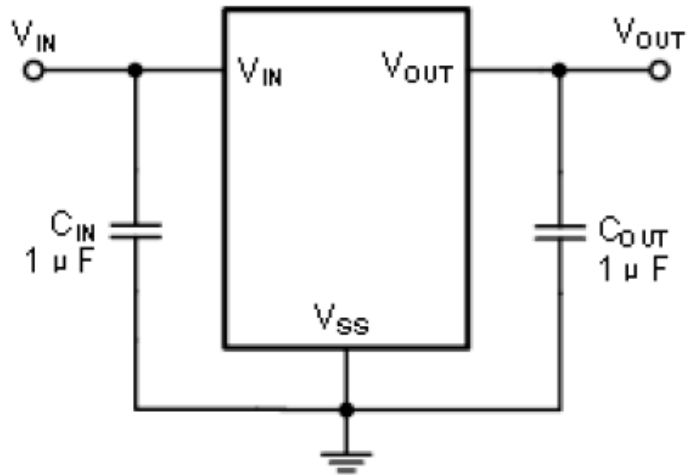




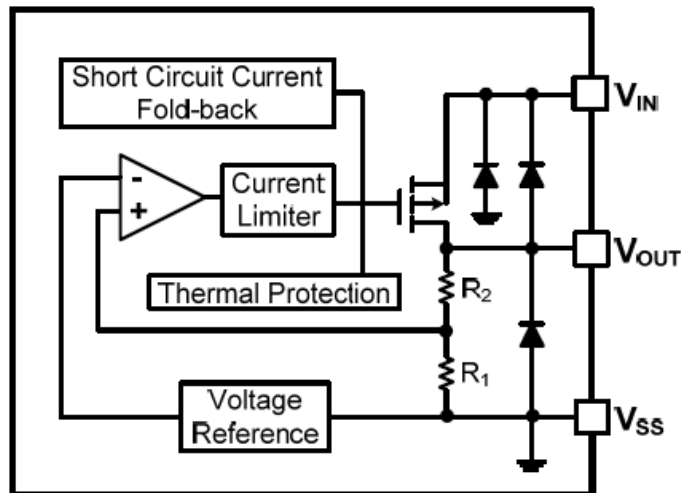
ACE575D

36V Low Current Consumption 250mA CMOS Voltage Regulator

Typical Application



Block Diagram





ACE575D

36V Low Current Consumption 250mA CMOS Voltage Regulator

Electrical Characteristics

($V_{IN}=V_{OUT}+2V$, $C_{IN}=C_{OUT}=1\mu F$, $T_A=25^\circ C$, unless otherwise specified)

Parameter	Symbol	Conditions	Min	Typ ⁽¹⁾	Max	Units
Input Voltage	V_{IN}		2.5		36	V
Output Voltage Range	V_{OUT}		2.1		12	V
DC Output Accuracy		$I_{OUT}=10mA$	-2		2	%
			-1		1	%
Dropout Voltage	$V_{dif}^{(2)}$	$I_{OUT}=100mA, V_{OUT}=3.3V$		400		mV
Supply Current	I_{SS}	$I_{OUT}=0A,$ $2.1V \leq V_{OUT} \leq 5.0V$		2	5	μA
		$I_{OUT}=0A,$ $5.0V < V_{OUT} \leq 12.0V$		5	10	μA
Line Regulation	$\frac{\Delta V_{OUT}}{V_{OUT} \times \Delta V_{IN}}$	$I_{OUT}=10mA$ $V_{OUT}+1V \leq V_{IN} \leq 36V$		0.01	0.3	%/V
Load Regulation	ΔV_{OUT}	$V_{IN}=V_{OUT}+2V,$ $1mA \leq I_{OUT} \leq 100mA$		10		mV
Temperature Coefficient	$\frac{\Delta V_{OUT}}{V_{OUT} \times \Delta T_A}$	$I_{OUT}=40mA,$ $-40^\circ C < T_A < 85^\circ C$		50		ppm/ $^\circ C$
Output Current Limit	I_{LIM}	$V_{OUT}=0.5 \times V_{OUT(Normal)}$		350		mA
Short Current	I_{SHORT}	$V_{OUT}=V_{SS}$		25		mA
Power Supply Rejection Ratio	PSRR	$I_{OUT}=50mA$	100Hz		80	dB
			1kHz		70	
			10kHz		60	
			100kHz		50	
Output Noise Voltage	V_{ON}	BW=10Hz to 100kHz		$27 \times V_{OUT}$		μV_{RMS}
Thermal Shutdown Temperature	T_{SD}	$I_{LOAD}=30mA$		160		$^\circ C$
Thermal Shutdown Hysteresis	ΔT_{SD}			20		$^\circ C$

1. Typical numbers are at $25^\circ C$ and represent the most likely norm.
2. V_{dif} : The Difference Of Output Voltage And Input Voltage When Input Voltage Is Decreased Gradually Till Output Voltage Equals To 98% Of V_{OUT} (E).



ACE575D

36V Low Current Consumption 250mA CMOS Voltage Regulator

Application Information

Selection of Input/ Output Capacitors

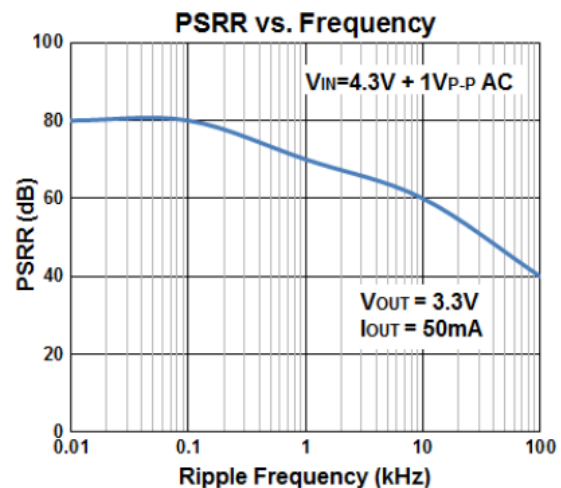
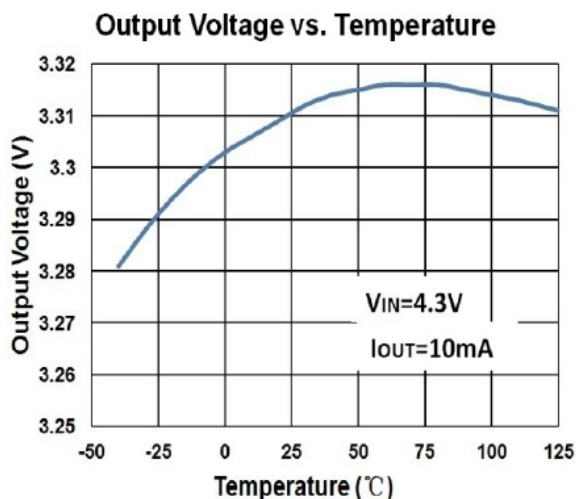
In general, all the capacitors need to be low leakage. Any leakage the capacitors have will reduce efficiency, increase the quiescent current.

A recent trend in the design of portable devices has been to use ceramic capacitors to filter DC-DC converter inputs. Ceramic capacitors are often chosen because of their small size, low equivalent series resistance (ESR) and high RMS current capability. Also, recently, designers have been looking to ceramic capacitors due to shortages of tantalum capacitors.

Unfortunately, using ceramic capacitors for input filtering can cause problems. Applying a voltage step to a ceramic capacitor causes a large current surge that stores energy in the inductances of the power leads. A large voltage spike is created when the stored energy is transferred from these inductances into the ceramic capacitor. These voltage spikes can easily be twice the amplitude of the input voltage step. Many types of capacitors can be used for input bypassing; however, caution must be exercised when using multilayer ceramic capacitors (MLCC). Because of the self-resonant and high Q characteristics of some types of ceramic capacitors, high voltage transients can be generated under some start-up conditions, such as connecting the LDO input to a live power source. Adding a 3Ω resistor in series with an X5R ceramic capacitor will minimize start-up voltage transients.

The LDO also requires an output capacitor for loop stability. Connect a 1μF tantalum capacitor from OUT to GND close to the pins. For improved transient response, this output capacitor may be ceramic.

Typical Performance Characteristics

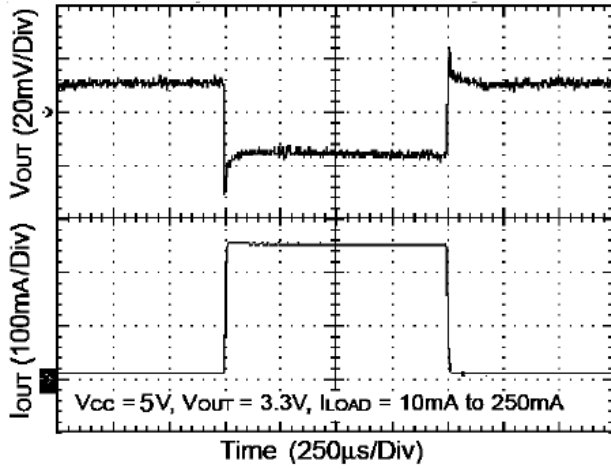




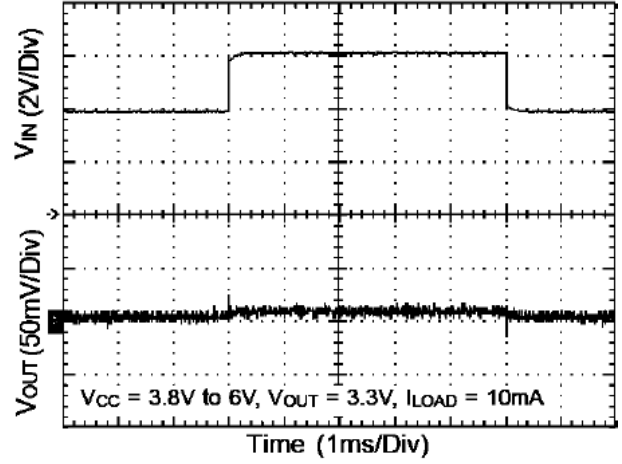
ACE575D

36V Low Current Consumption 250mA CMOS Voltage Regulator

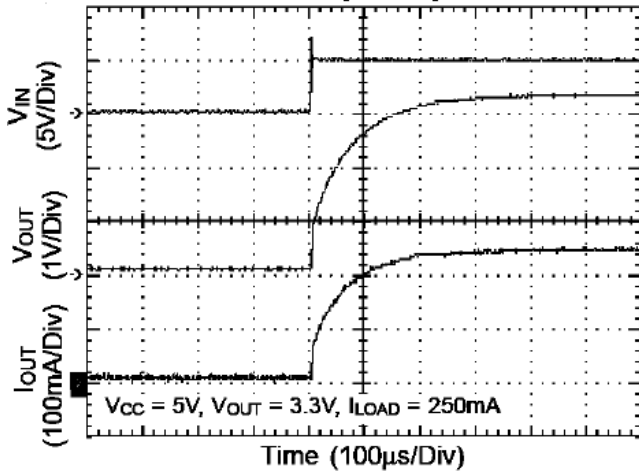
Load Transient Response



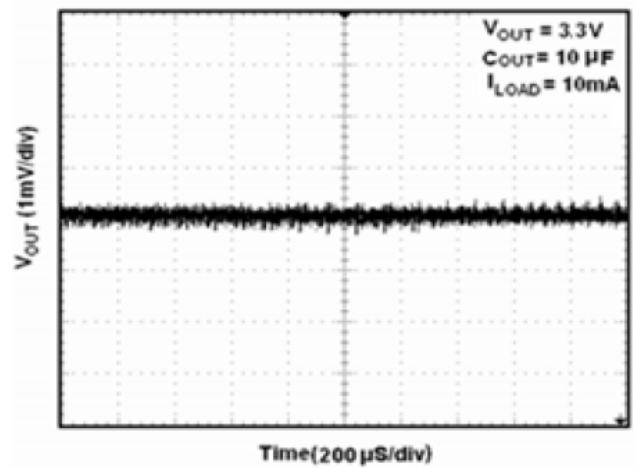
Line Transient Response



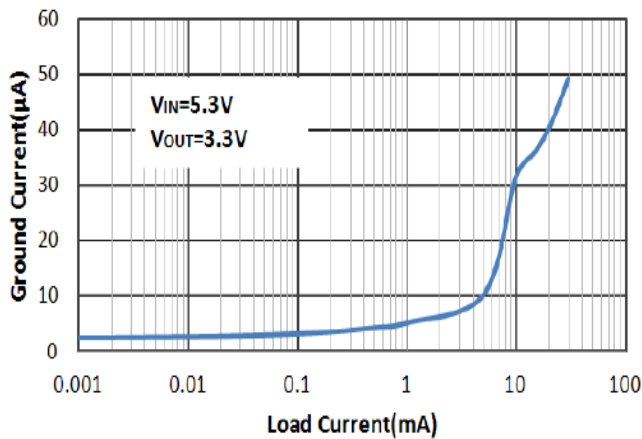
Power Up Response



Output Noise 10Hz to 100KHz



Ground Current vs. Load Current



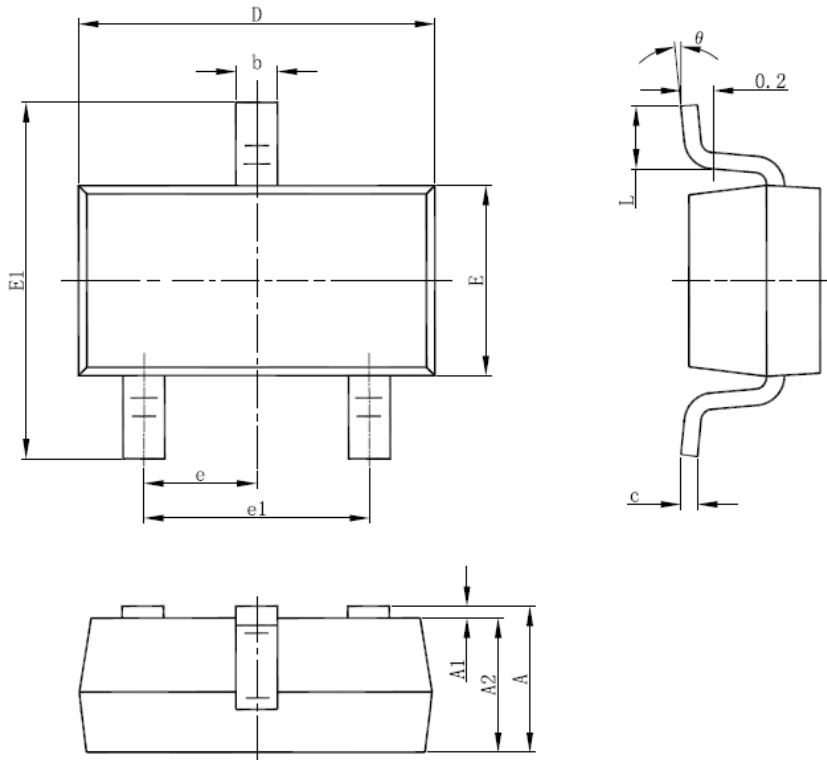


ACE575D

36V Low Current Consumption 250mA CMOS Voltage Regulator

S Packing Information

SOT-23-3



Symbol	Dimensions In Millimeters		Dimensions In Inches	
	Min.	Max.	Min.	Max.
A	1.050	1.250	0.041	0.049
A1	0.000	0.100	0.000	0.004
A2	1.050	1.150	0.041	0.045
b	0.300	0.500	0.012	0.020
c	0.100	0.200	0.004	0.008
D	2.820	3.020	0.111	0.119
E	1.500	1.700	0.059	0.067
E1	2.650	2.950	0.104	0.116
e	0.950(BSC)		0.037(BSC)	
e1	1.800	2.000	0.071	0.079
L	0.300	0.600	0.012	0.024
θ	0°	8°	0°	8°

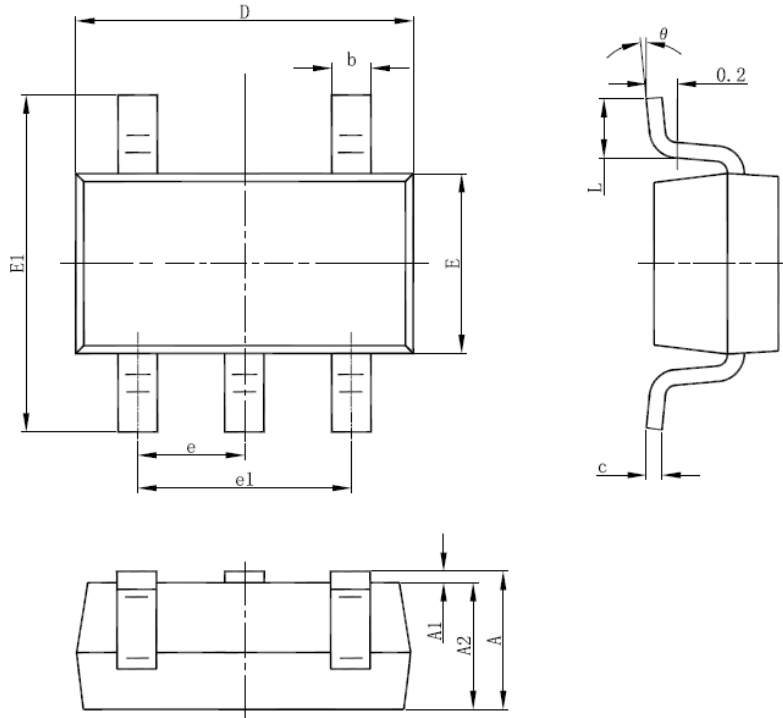


ACE575D

36V Low Current Consumption 250mA CMOS Voltage Regulator

Packing Information

SOT-23-5



Symbol	Dimensions In Millimeters		Dimensions In Inches	
	Min.	Max.	Min.	Max.
A	1.050	1.250	0.041	0.049
A1	0.000	0.100	0.000	0.004
A2	1.050	1.150	0.041	0.045
b	0.300	0.500	0.012	0.020
c	0.100	0.200	0.004	0.008
D	2.820	3.020	0.111	0.119
E	1.500	1.700	0.059	0.067
E1	2.650	2.950	0.104	0.116
e	0.950(BSC)		0.037(BSC)	
e1	1.800	2.000	0.071	0.079
L	0.300	0.600	0.012	0.024
theta	0°	8°	0°	8°

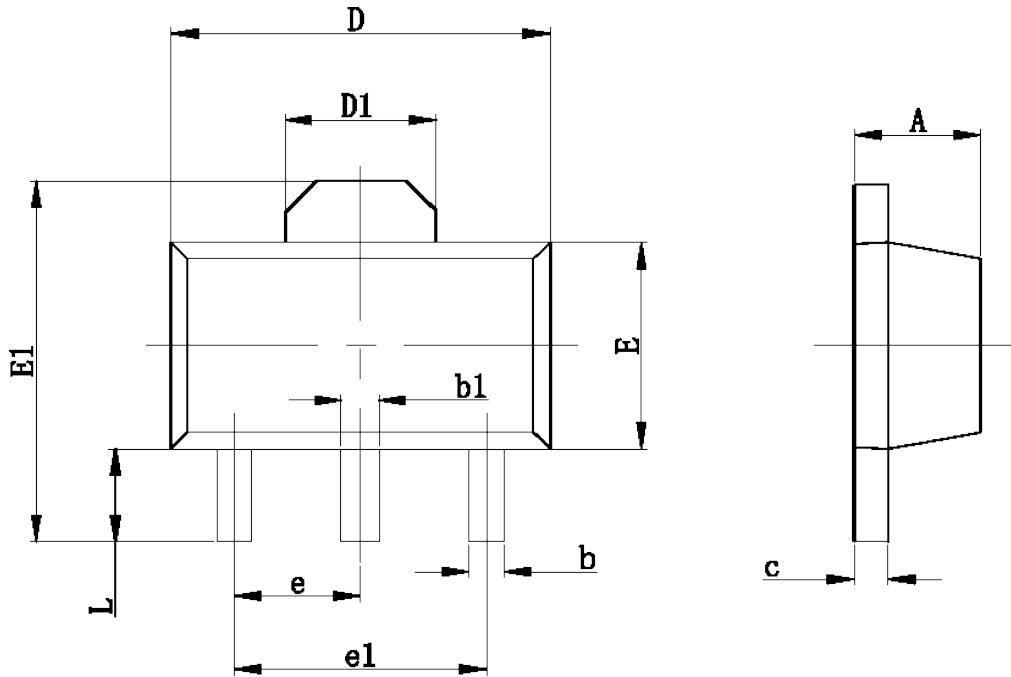


ACE575D

36V Low Current Consumption 250mA CMOS Voltage Regulator

Packing Information

SOT-89-3



Symbol	Dimensions In Millimeters		Dimensions In Inches	
	Min.	Max.	Min.	Max.
A	1.400	1.600	0.055	0.063
b	0.320	0.520	0.013	0.197
b1	0.400	0.580	0.016	0.023
c	0.350	0.440	0.014	0.017
D	4.400	4.600	0.173	0.181
D1	1.550 REF		0.061 REF	
E	2.300	2.600	0.091	0.102
E1	3.940	4.250	0.155	0.167
e	1.500 TYP		0.060 TYP	
e1	3.000 TYP		0.118 TYP	
L	0.900	1.200	0.035	0.047

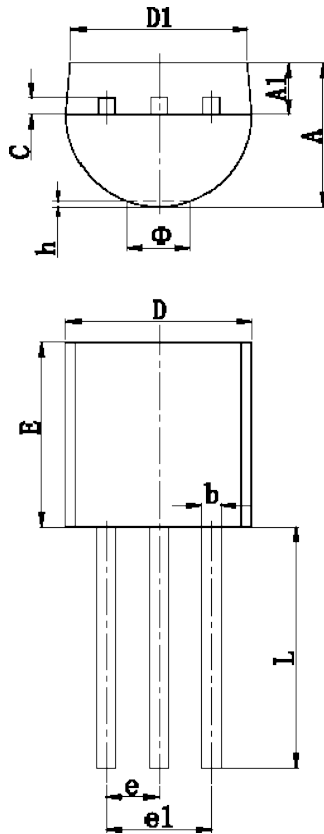


ACE575D

36V Low Current Consumption 250mA CMOS Voltage Regulator

Packing Information

TO-92



Symbol	Dimensions In Millimeters		Dimensions In Inches	
	Min.	Max.	Min.	Max.
A	3.300	3.700	0.130	0.146
A1	1.100	1.400	0.043	0.055
b	0.380	0.550	0.015	0.022
c	0.360	0.510	0.014	0.020
D	4.400	4.700	0.173	0.185
D1	3.430		0.135	
E	4.300	1.400	0.169	0.185
e	1.270 TYP		0.050 TYP	
e1	2.440	2.640	0.096	0.104
L	14.100	14.500	0.555	0.571
ϕ		1.600		0.063
h	0.000	0.380	0.000	0.015



ACE575D

36V Low Current Consumption 250mA CMOS Voltage Regulator

Notes

ACE does not assume any responsibility for use as critical components in life support devices or systems without the express written approval of the president and general counsel of ACE Electronics Co., LTD. As used herein:

1. Life support devices or systems are devices or systems which, (a) are intended for surgical implant into the body, or (b) support or sustain life, and whose failure to perform when properly used in accordance with instructions for use provided in the labeling, can be reasonably expected to result in a significant injury to the user.
2. A critical component is any component of a life support device or system whose failure to perform can be reasonably expected to cause the failure of the life support device or system, or to affect its safety or effectiveness.

ACE Technology Co., LTD.
<http://www.ace-ele.com/>